

Our Help Line provides support and advice to customers of Summer Garden Buildings after ordering. For advice before you buy phone us free 7 days a week on 0800 9777828 or visit www.summergardenbuildings.co.uk

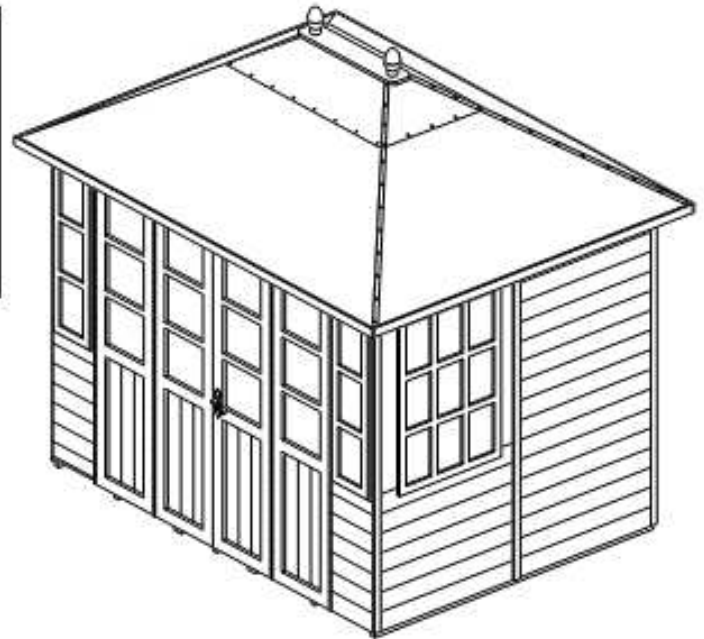
Hipped Summerhouse 270

English SS132H

Assembly Instructions

Before assembly

- We recommend that time is taken to read the instructions before starting assembly, then follow the easy step by step guide. The instruction sheet is only a guide to the assembly. Certain items may not be shown to scale.
- Check all components prior to assembly
- This product should be assembled by no less than 2 people.
- Never attempt to erect the assembly in high winds.
- Drill components where indicated.
- Some of the components may have sharp edges wear protective work gloves while handling components.

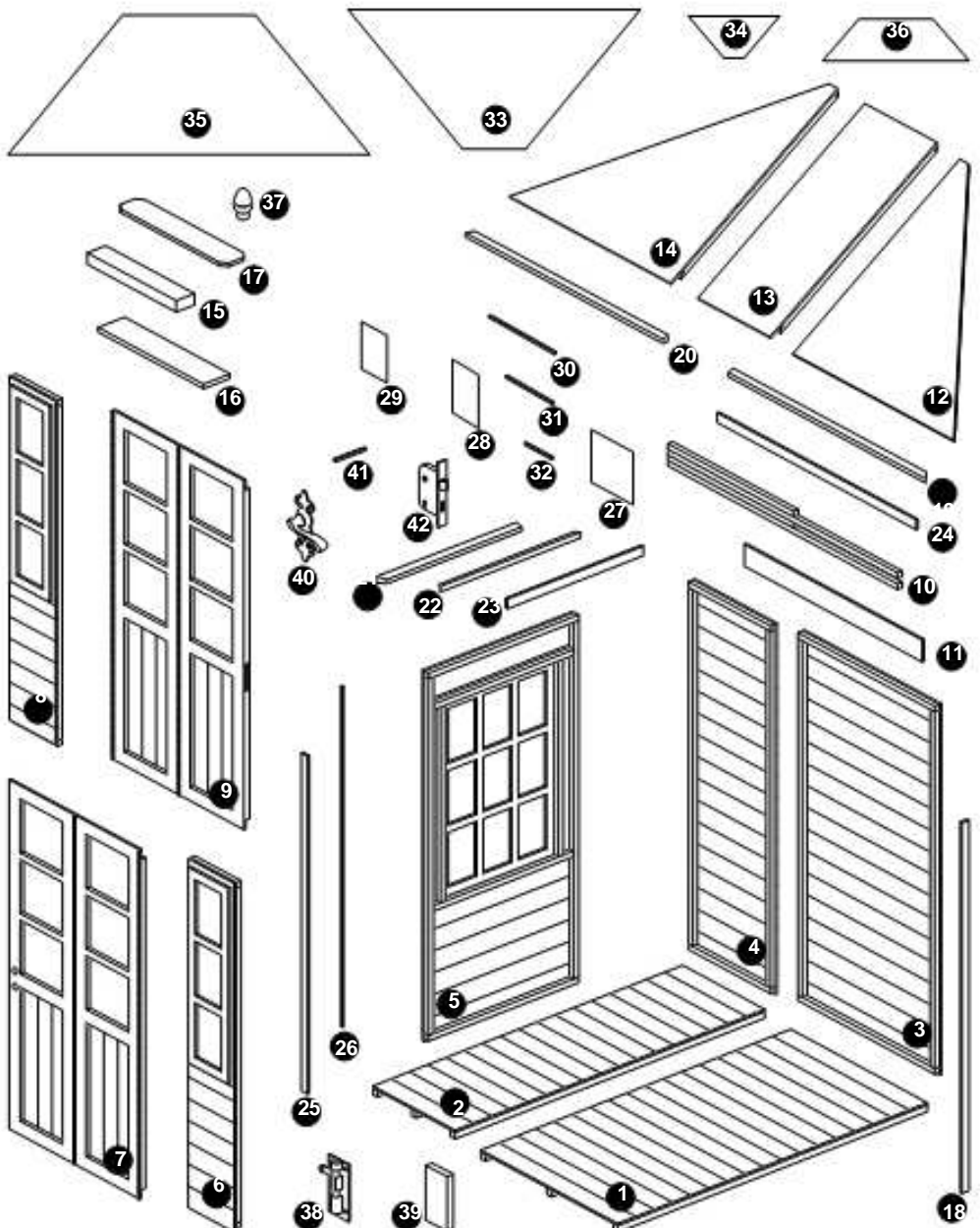


Recommended tools for assembly

- Cross head screw driver
- Hammer
- Sharp knife
- Drill
- 3mm diameter drill bit
- 8mm diameter drill bit
- 12mm diameter drill bit
- Spirit level
- Silicon sealant
- Step ladder

No.	Components	Qty.
1	Large floor panel	2
2	Small floor panel	1
3	Back and side panel	4
4	Small back panel	1
5	Window side panel	2
6	Right-hand front panel	1
7	Right-hand doors	1
8	Left-hand front panel	1
9	Left-hand doors	1
10	Door header panel	2
11	Shiplap door header board	2
12	Right triangular roof panel	4
13	Rectangular roof panel	2
14	Left triangular roof panel	4
15	Roof centre block	1
16	Inside roof cover	1
17	Capping	1
18	Coverstrips (1920x48x12mm)	8
19	Long angled felt batten (right)	3
20	Long angle felt batten (left)	3
21	Short angle felt batten (right)	1
22	Short angle felt batten (left)	1
23	Short bargeboard (835x40x12mm)	2
24	Long bargeboard (1325x40x12mm)	6
25	Door weather strips (1760x40x12mm)	3
26	Door beading strips (1775x9x9mm)	2
27	Door glazing (284 x 306mm)	12
28	Side window glazing (193 x 304mm)	18
29	Front window glazing (200 x 304mm)	6
30	Beading (306mm)	72
31	Beading (252mm)	24
32	Beading (106mm)	48
33	Large side roof felt (2.31 x 1m)	2
34	Small side roof felt (0.9 x 0.46m)	2
35	Large front/back roof felt (2.9 x 1m)	2
36	Small front/back roof felt (1.4 x 0.46m)	2
37	Acom finials	2

No.	Fixing Kit	Qty.
38	Tower bolts	6
39	Tower bolt mounting block	3
40	Door handles	2
41	Metal handle bar	1
42	Door lock kit	1
43	63mm screws	34
44	50mm screws	94
45	38mm screws	12
46	32mm screws	12
47	25mm screws	78
48	30mm black countersunk screws	8
49	25mm brass screws	4
50	19mm round head screws	36
51	Washers	4
52	38mm nails	62
53	25mm nails	288
54	10mm felt nails	200



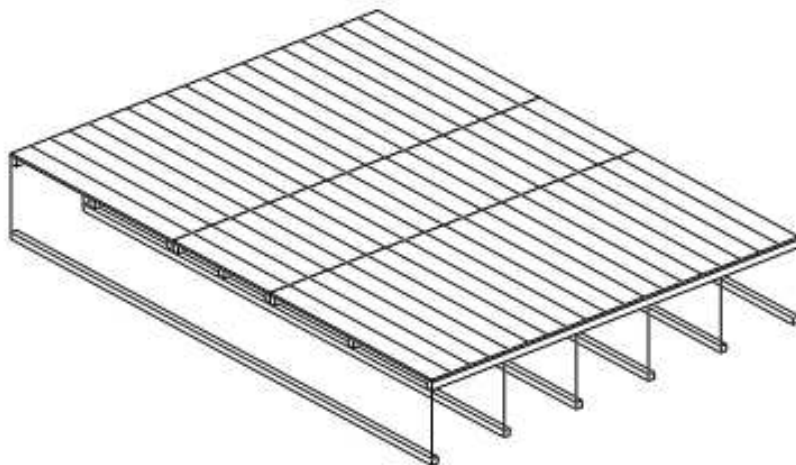
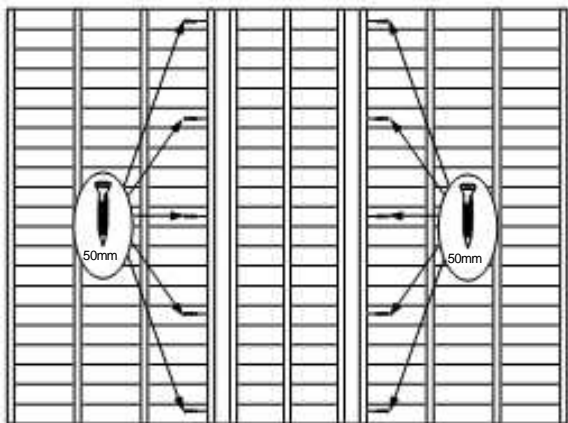
1. Floor section

Summer Garden Buildings – Hipped Summerhouse 270

Prepare a level area for the Summerhouse to sit. Lay the floor panels upside down and secure them together using 5 x 50mm screws per join as shown.


Important note

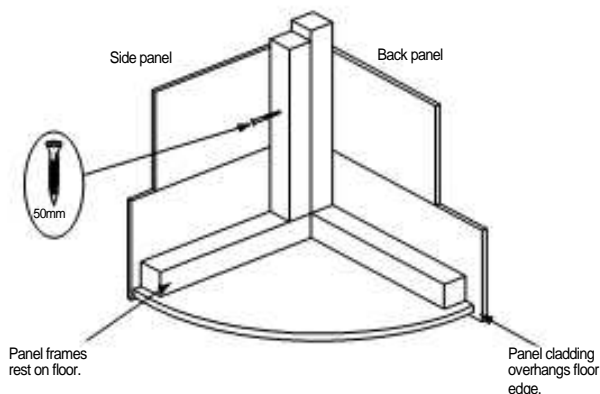
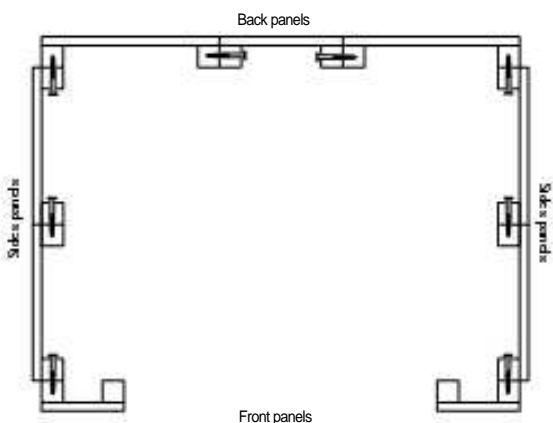
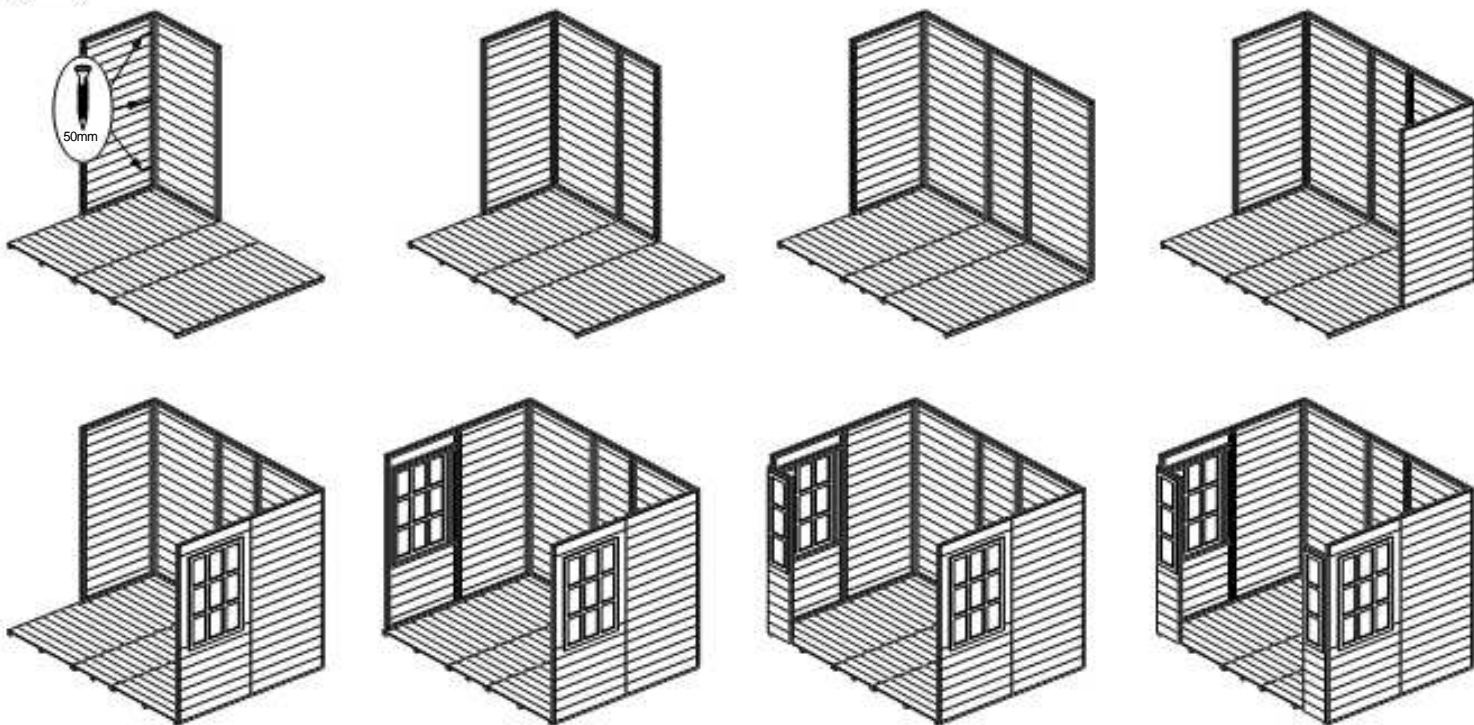
To "VALIDATE" the guarantee, adequate provision must be made to ensure ground contact is avoided and air is able to circulate underneath the building. Placing the building on a concrete pad or slab base is acceptable provided that the building is not allowed to sit in pooled water during wet conditions. If the building is to sit on soil or grass it **MUST** be erected on pressure treated wooden 50mm x 50mm or similar bearers (These are not supplied in the kit). We recommend using pressure treated bearers with all buildings on any type of base.



2. Wall panels

Position a back panel and a side panel on the floor as shown. Note how the panel frames sit on the floor with the panel cladding overhanging the floor edge. Ensure square and secure using 3 x 50mm screws, screw through the frame of the side panel into the frame of the back panel. Position the small back panel next to the first, ensure level and secure them together using 3 x 50mm screws, screw through the frame of the second panel into the frame of the first. Continue adding the rest of the panels as shown in the diagrams using 3 x 50mm screws per join.

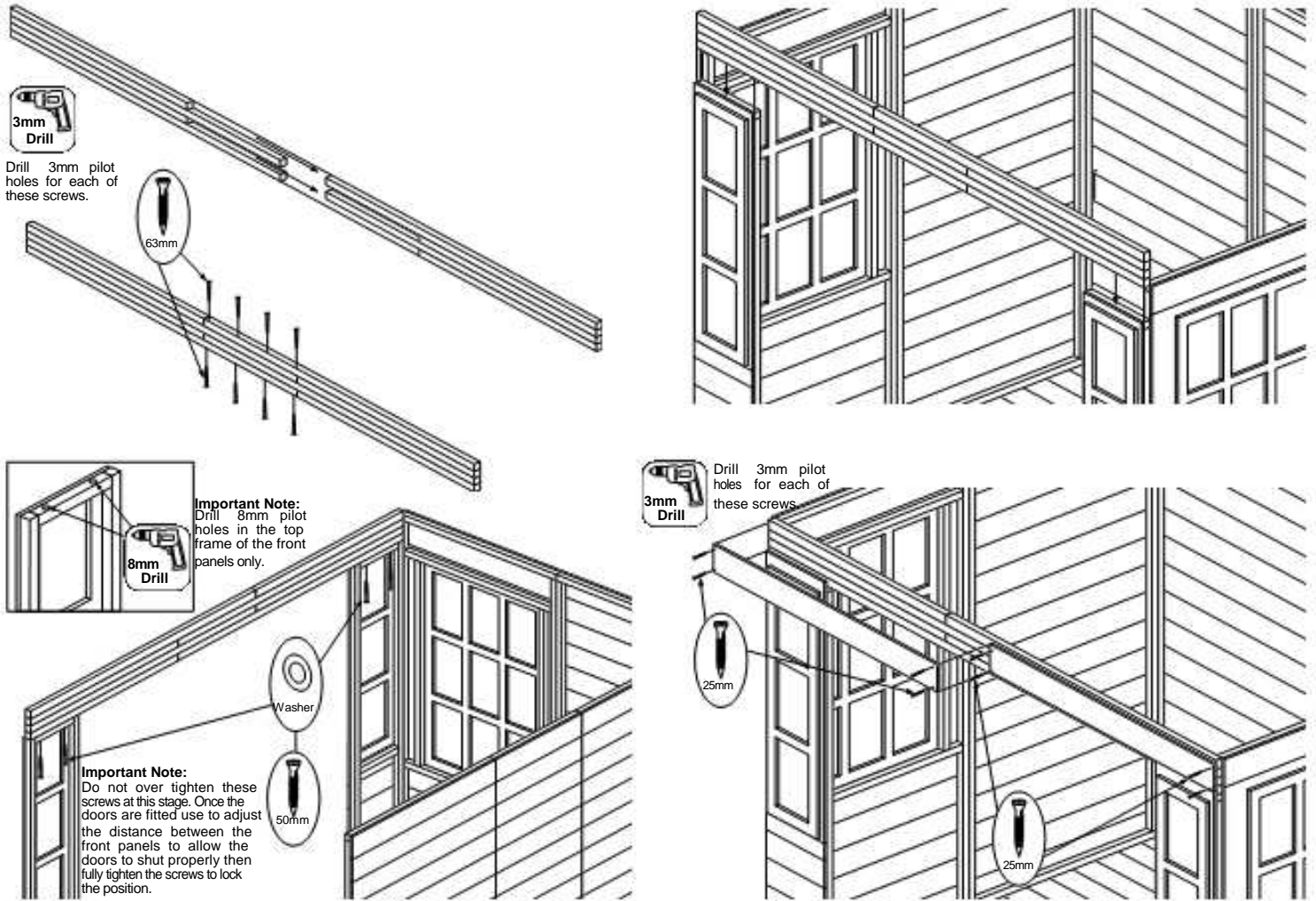
 It is recommended to drill pilot holes with a 3mm drill bit for all screws in this section.



3. Door header panel

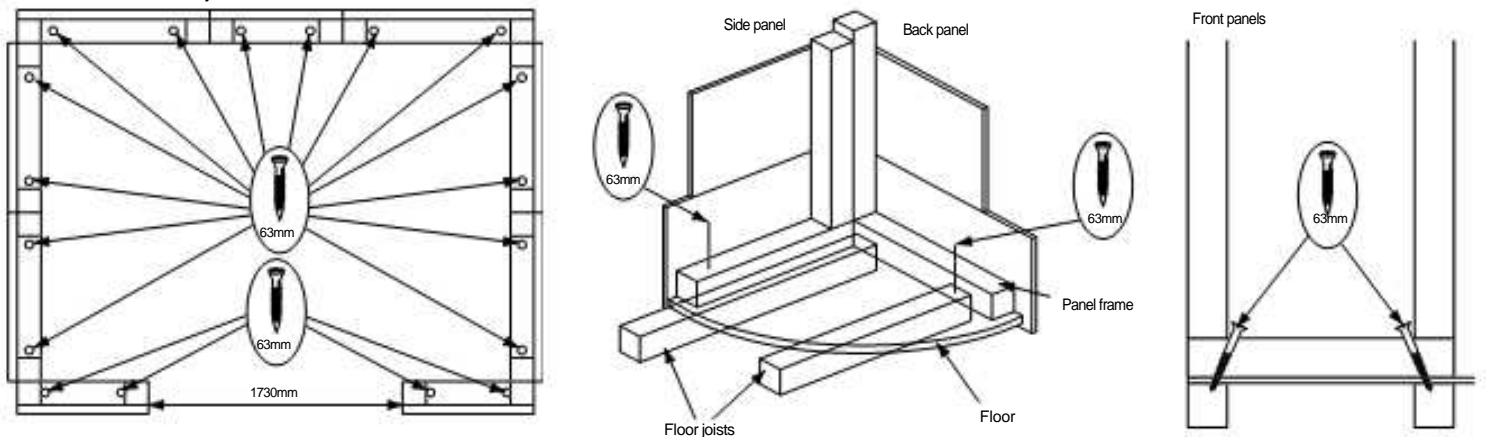
Summer Garden Buildings – Hipped Summerhouse 270

Interlock the 2 door header panels and secure together using 8 x 63mm screws as shown. Position the header panel on top of the front panels. Drill 2 x 8mm holes in each front panel top frame then fix the header panel to the front panels using 2 x 50mm screws and washers per front panel. Do not over tighten these screws at this stage. Position the 2 shiplap door header boards as shown, ensuring that the tongue of the front panel cladding is fitted into the groove of the door header boards. Secure each header board in place using 4 x 25mm screws, when securing ensure the 2 boards are level and meet in the middle of the building.



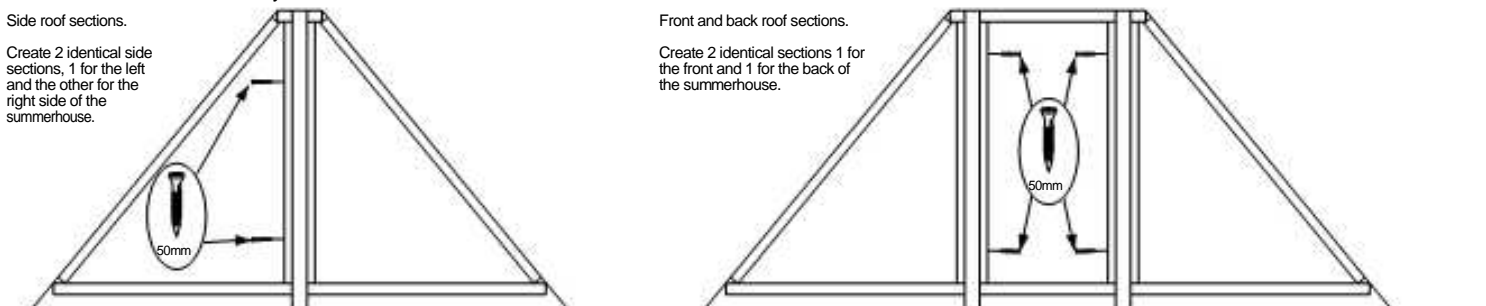
4 using the walls to the floor

Ensure the walls are sitting square on the floor and screwing through the panel framing and floor into the floor joists. For each front panel use 2 x 63mm screws down using 2 x 63mm screws per panel, into each corner, through the panel frames and floor into the floor joists.



5. Roof panels

As shown below construct a side roof section using a right and a left triangular roof panel. screw together using 2 x 50mm screws. Assemble a second side roof section in the same way. Create the front roof section using a right and left triangular roof panel and a rectangular roof panel as shown below using 4 x 50mm screws. Assemble a second section in the same way for the back.



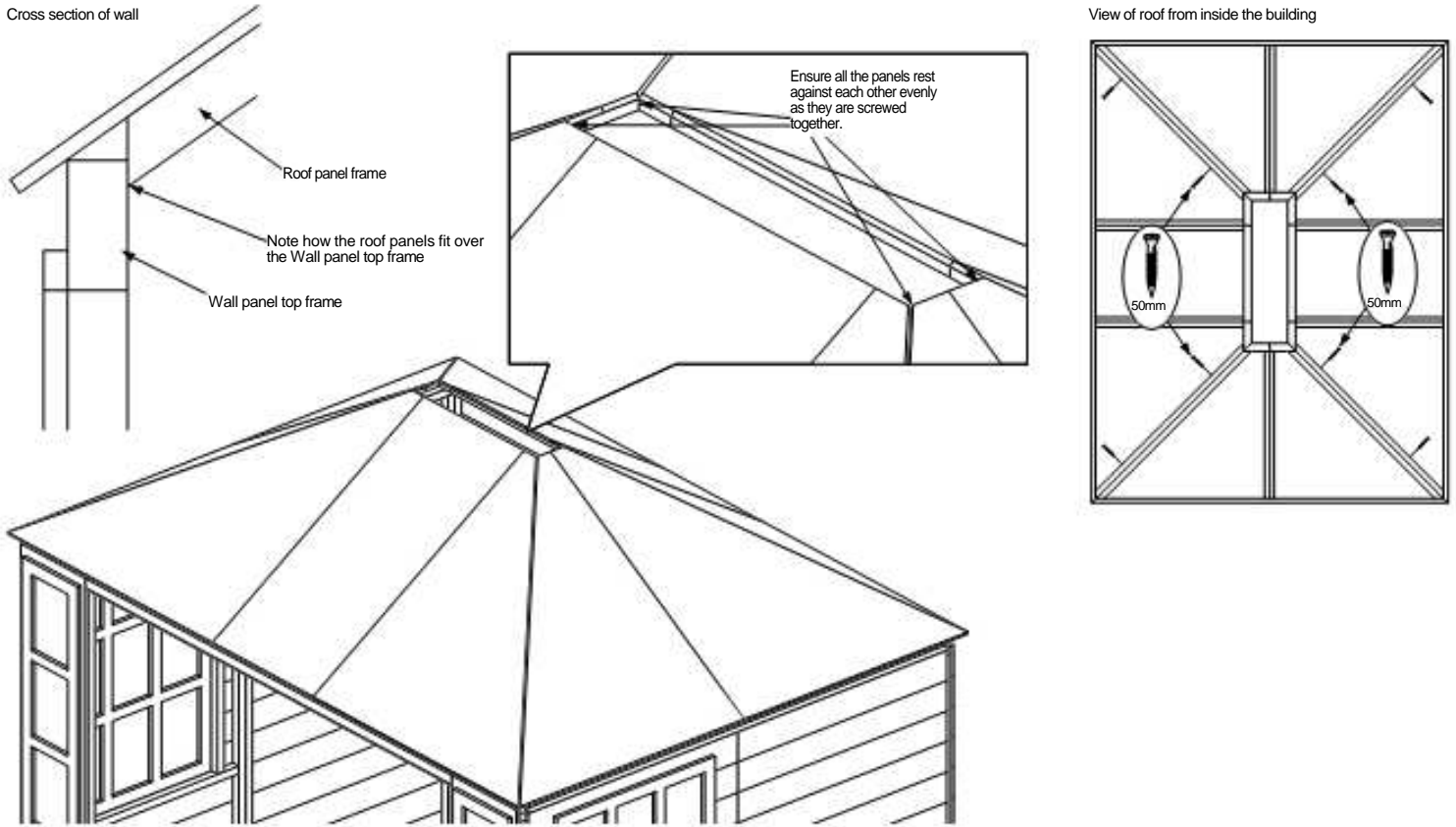
6. Roof

Summer Garden Buildings – Hipped Summerhouse 270

Have a person standing in the centre of the assembly to hold the panels while another person lifts them on. Hook the roof framing over the top frames and evenly rest the panel edges against each other. Ensure the corner frames are square and level and secure using 2 x 50mm screws per corner as shown.

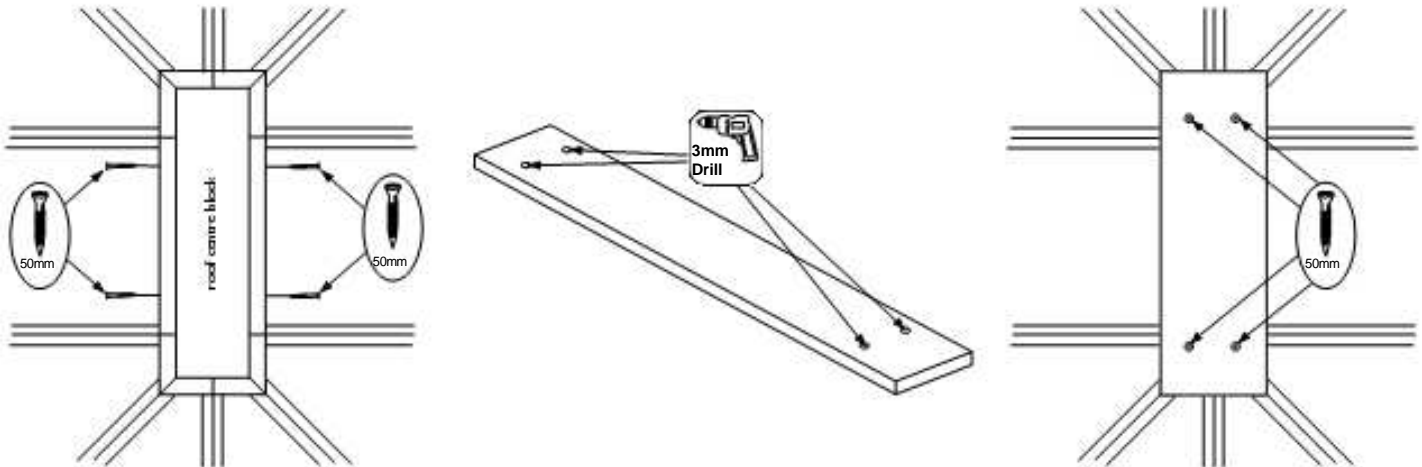
Cross section of wall

View of roof from inside the building



7. Roof centre block

Position the roof centre block in the hole in the middle, ensure it is flush with the roof panel framing and secure in place using 4 x 50mm screws. Screw through the frames of the rectangular roof panels into the centre block, as shown below. Drill 4 holes in the roof inside cover piece, centre the cover piece over the centre roof block and secure in place using 4 x 50mm screws, screw through the drilled holes of the cover piece into the centre block.

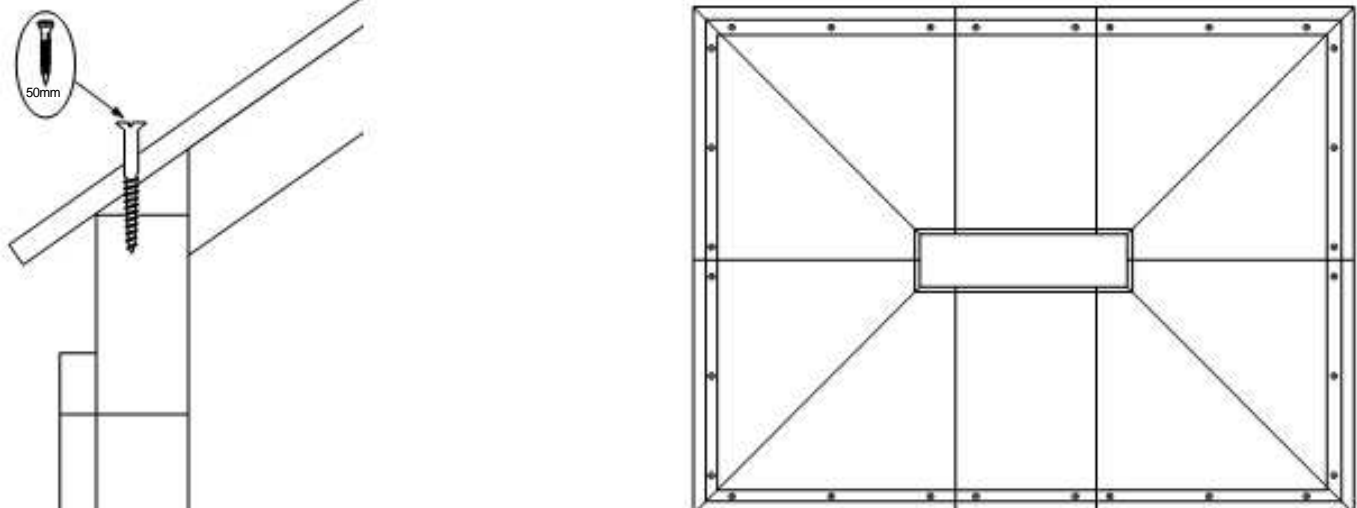


8. Secure roof to walls

Secure the roof to the walls using 8 x 50mm screws along each long edge and 6 x 50mm screws along each short edge. Screw through the roof panels into the top frame of the walls.

Cross section of wall

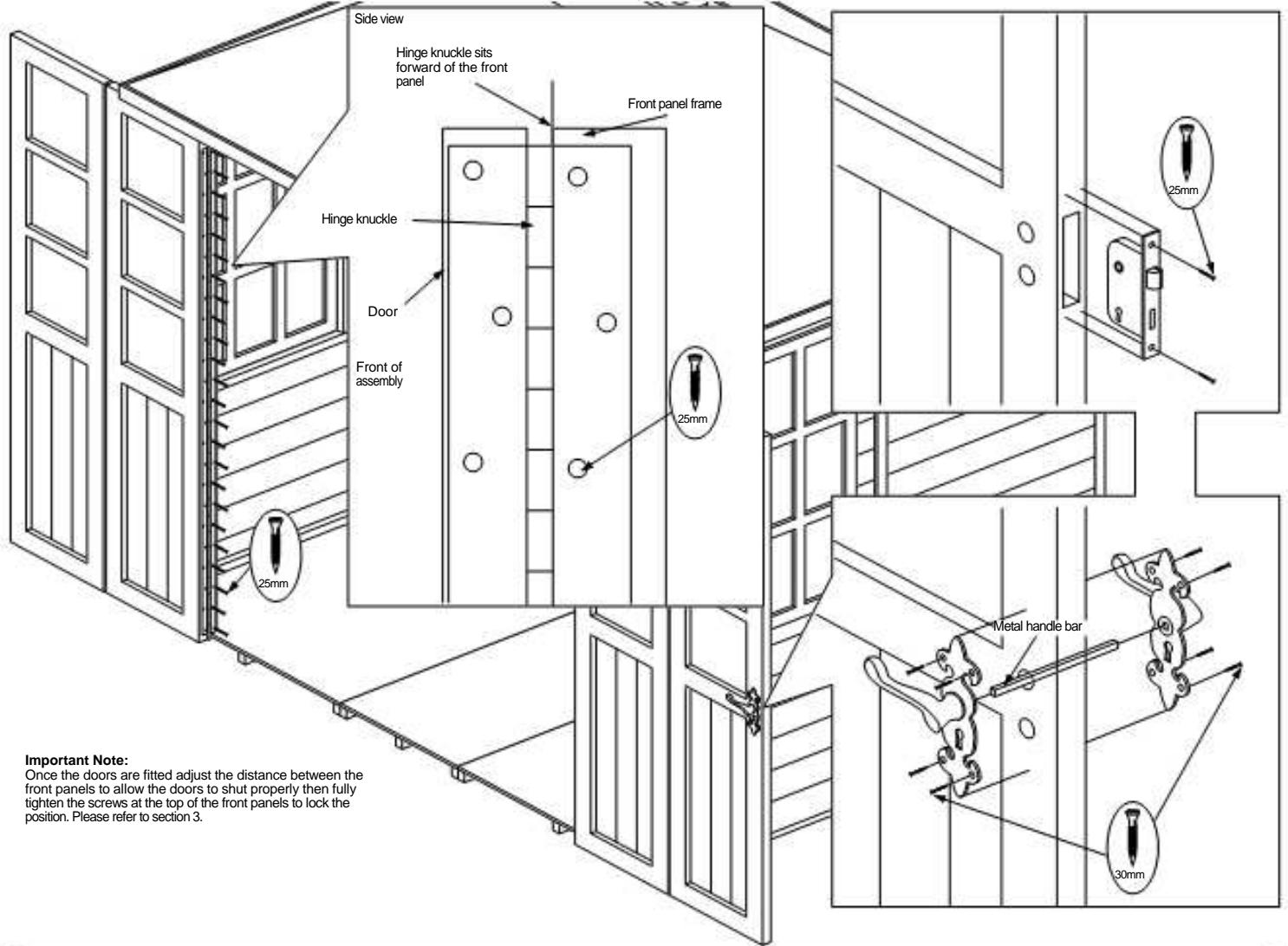
Overhead view



9. Doors

Summer Garden Buildings – Hipped Summerhouse 270

Open the hinges out flat on the left door. Position the door as shown below with the hinge flat against the frame of the front panel. Align the hinge so that the knuckle sits forward of the panel. Adjust the height of the door to fit centrally in the gap and secure the hinge in place using 24 x 25mm screws. Repeat for the right-hand door. To fit the door handle. Push the door lock into the rebate on the edge of the right-hand door as shown and secure using 2 x 25mm brass screws. Push the metal handle bar through the door latch mechanism. Fit a door handle to the metal handle bar on each side of the door and secure them in place using 4 x 30mm black countersunk screws per handle. On the other door fit the lock plate using 2 x 25mm brass screws. With the doors fitted adjust the distance between the front panels to allow the doors to shut properly then tighten the front panel screws to lock their position. Please refer to section 3.



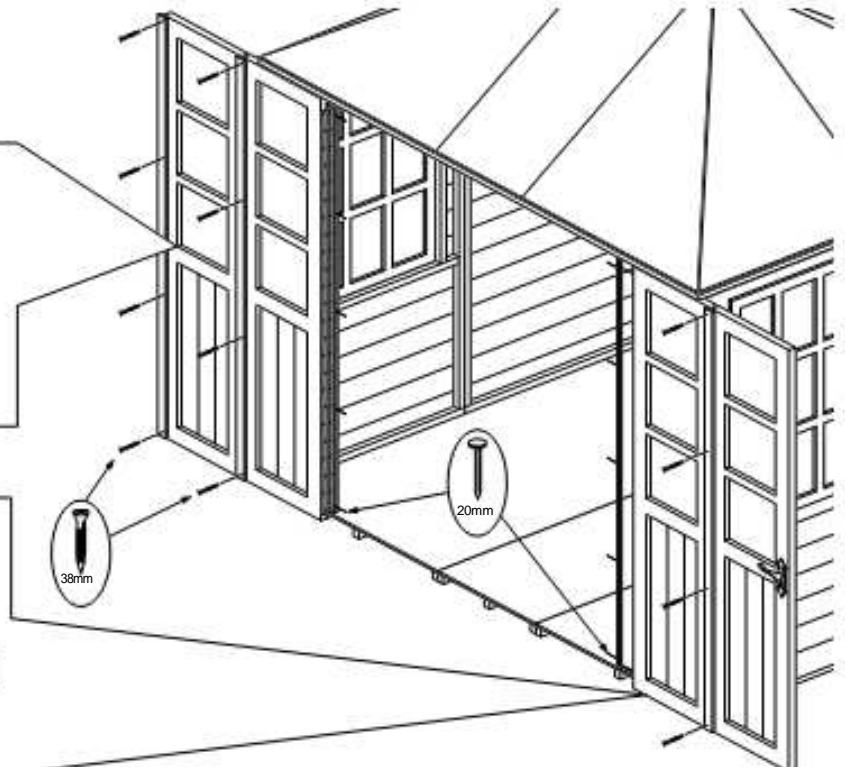
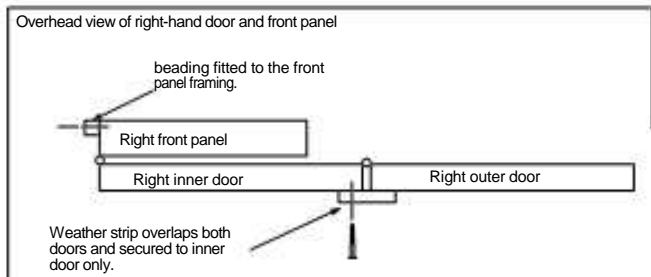
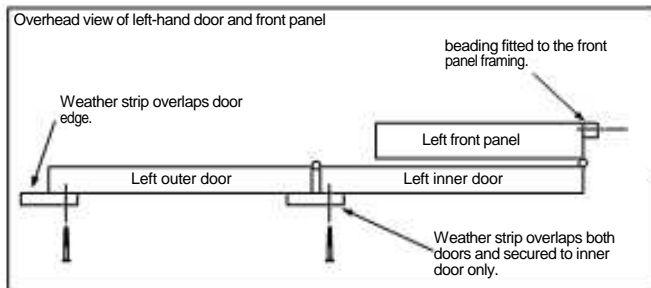
Important Note:

Once the doors are fitted adjust the distance between the front panels to allow the doors to shut properly then fully tighten the screws at the top of the front panels to lock the position. Please refer to section 3.

10. Door weatherstrips and beading

To the right-hand door position a weatherstrip over the join between the 2 doors and secure in place to the inner door only using 4 x 38mm screws. Position a second weatherstrip in the same position on the left-hand door and secure in the same way to the inner door only. The third weatherstrip is positioned on the left hand door so that it overlaps the edge of the outer door, secure in place with 4 x 38mm screws. Fit the beading strips to the frame of the front panels as shown below and secure in place using 5 x 20mm nails per strip.

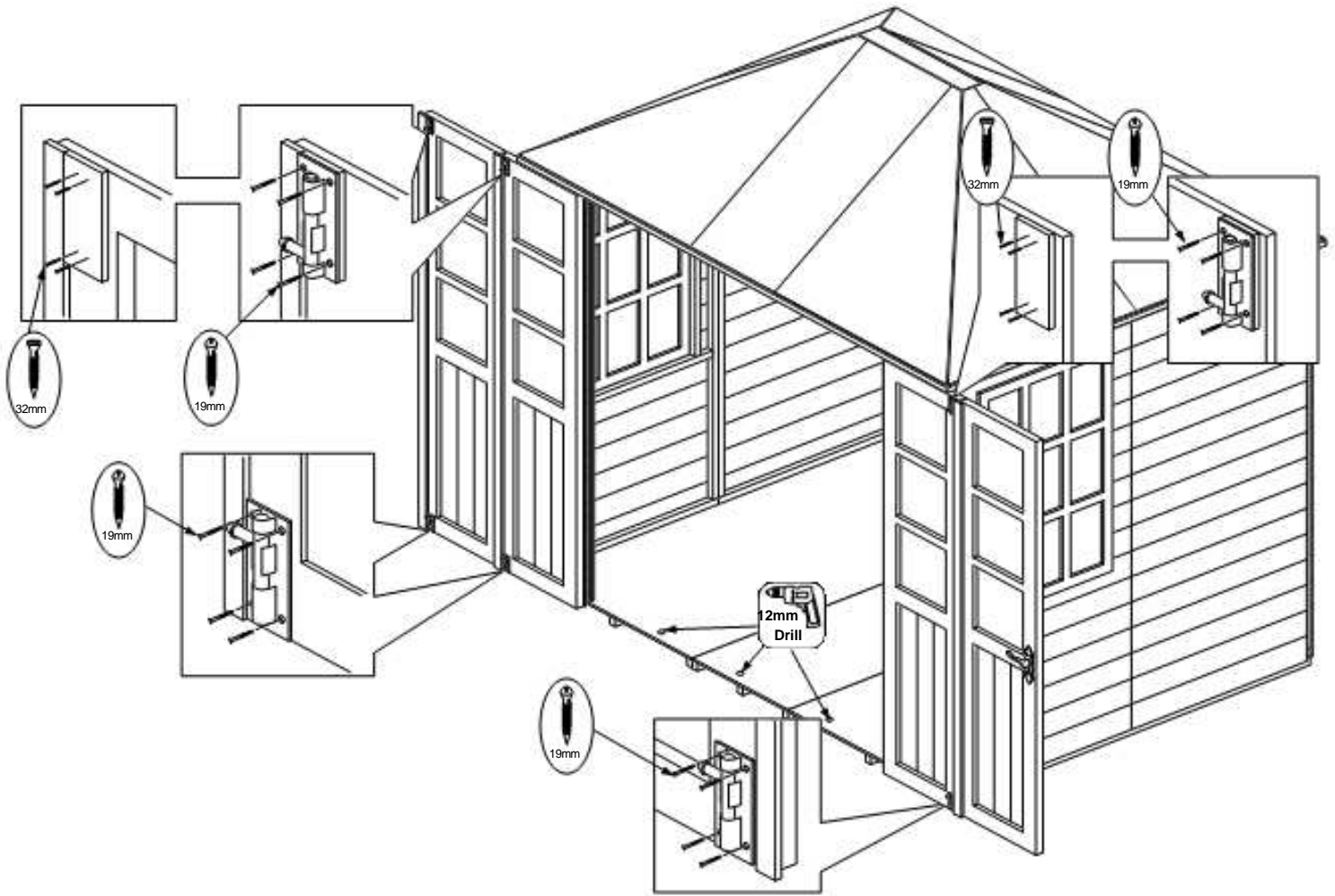
For each screw drill a 3mm pilot hole in the weatherstrip only.



11. Tower bolts

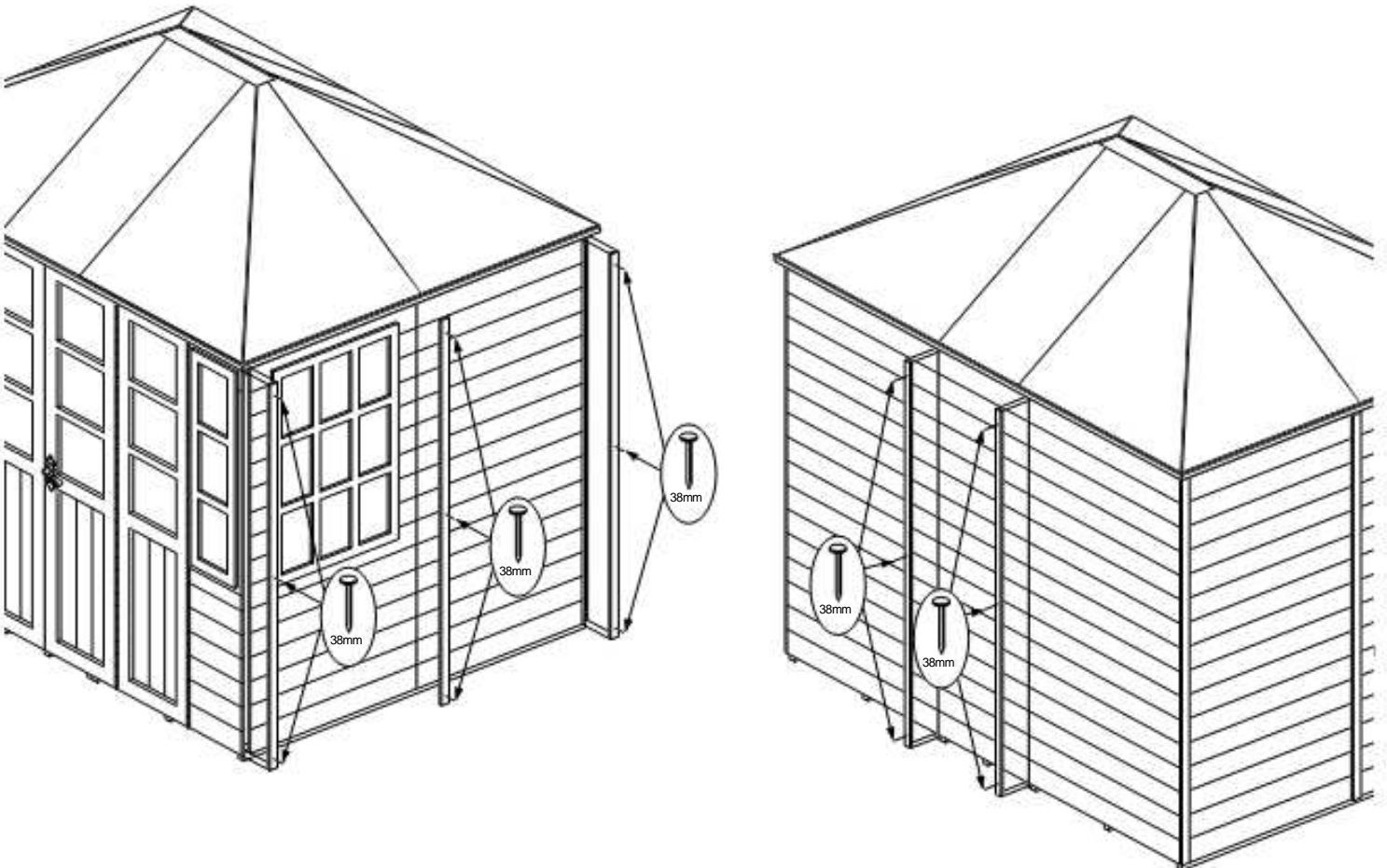
Summer Garden Buildings – Hipped Summerhouse 270

Secure the 3 tower bolt mounting blocks at the top on the inside of the 3 doors as shown, using 4 x 32mm screws per block. Attach a tower bolt to each mounting block using 4 x 19mm round head screws per bolt. Also attach a tower bolt to the bottom of the 3 doors as shown using 4 x 19mm round head screws per bolt. With the doors shut, drop the bolts at the bottom of the doors and mark where they touch the floor. Drill a 12mm hole in the floor for each bolt to fit in.



12. Cover strips

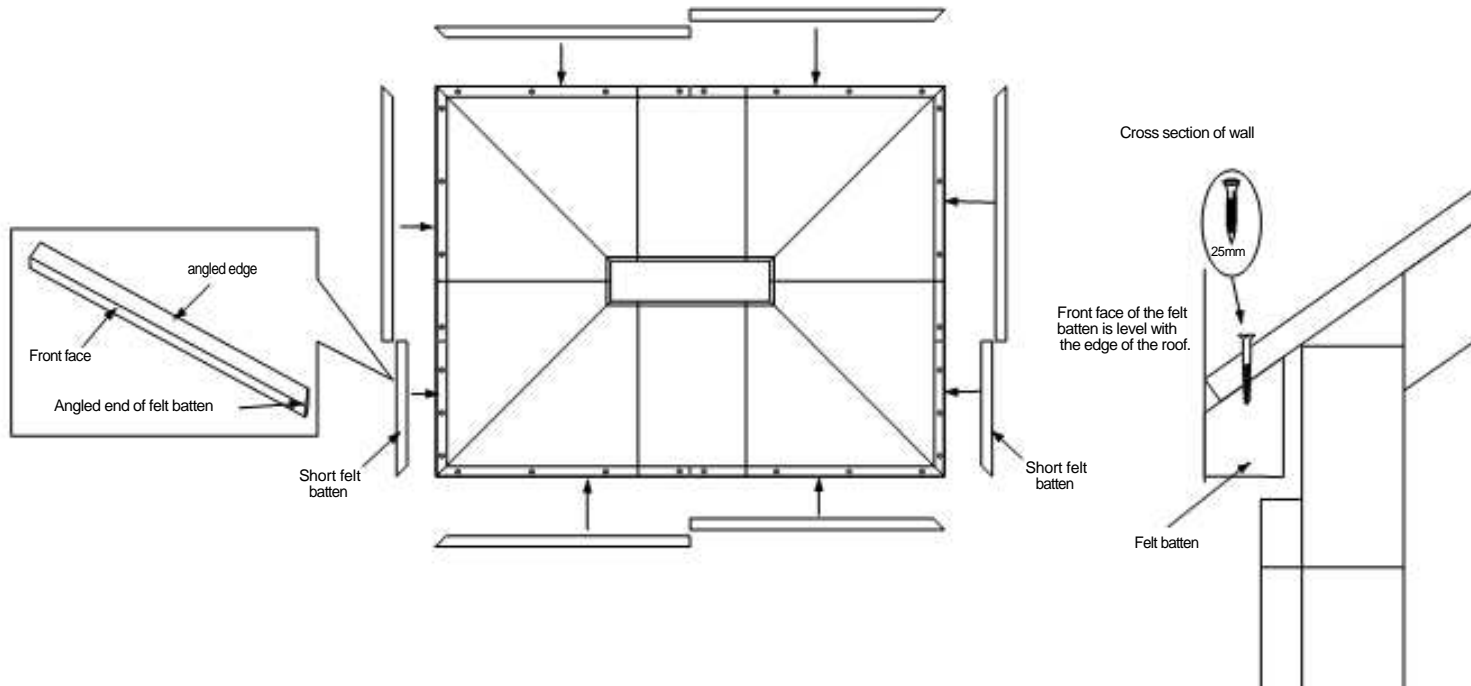
Fit a cover strip into each corner, attach using 3 x 38mm nails per strip. The 4 remaining cover strips are to cover the joins between panels, 2 on the back and 1 on each side. Secure each strip using 3 x 38mm nails.



13. Felt battens

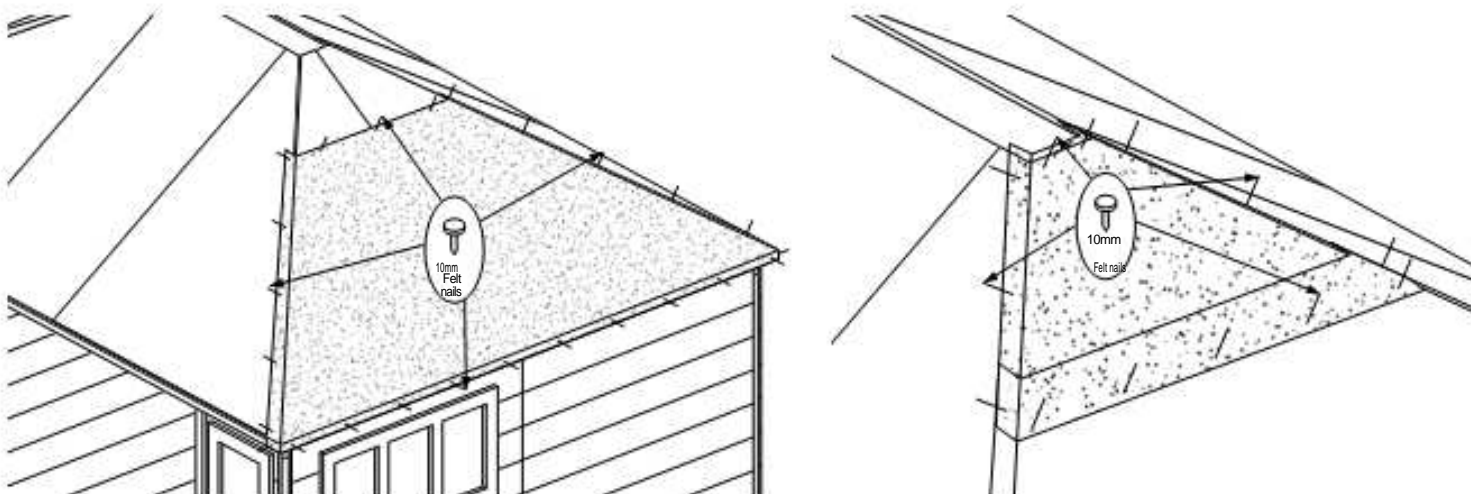
Summer Garden Buildings – Hipped Summerhouse 270

Around the edge of the roof position the angled edges of the felt batten against the underside of the roof panel, have the front face of the batten level with the end of the roof panel as shown. Secure in place using 4 x 25mm screws for the Long felt battens and 3 x 25mm screws for the short battens.



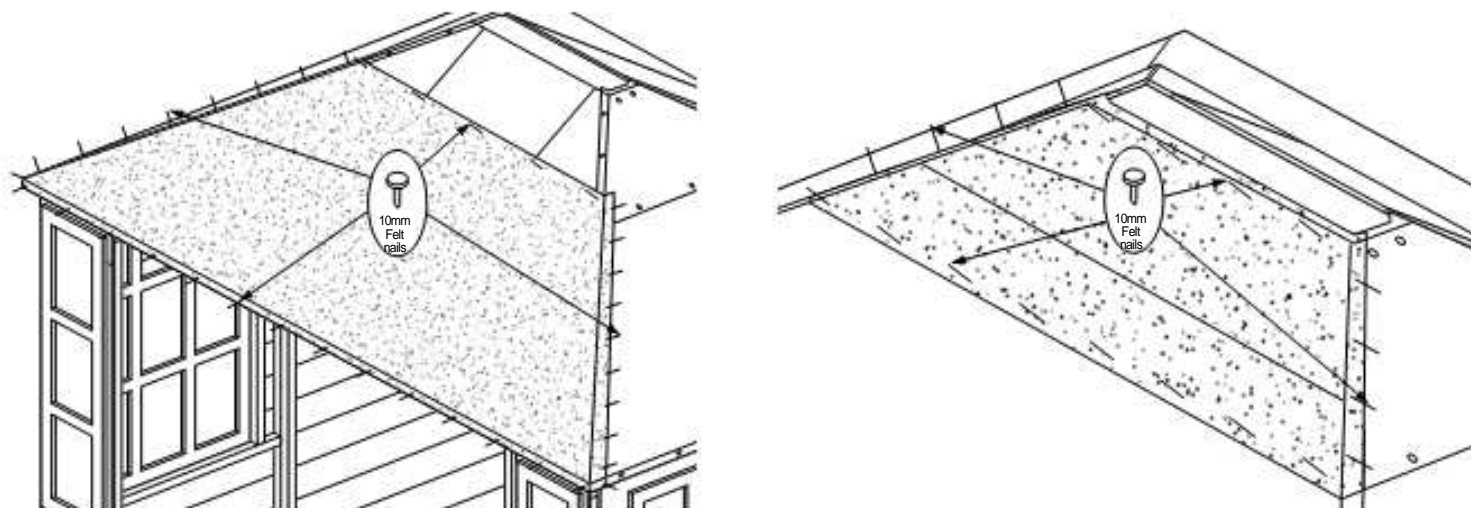
14. Side roof panel roofing felt

Position a large side roof panel felt centrally over the right roof side. Fold the lower edge down to cover the felt batten. Secure the felt to the felt batten using 10 x 10mm felt nails evenly spaced. Tension the felt over the roof and secure along the upper edge using 3 x 10mm felt nail. Fold the front edge of the felt over the front roof panels and secure using 6 x 10mm felt nails. Repeat for the back edge of the felt. Position a small side felt piece at the top of the right roof panels. Ensure that the lower edge overlaps the large felt and the upper edge overhangs the roof centre block. Once in position secure the lower edge with 5 x 10mm felt nails, tension the felt and secure at the top edge with 2 x 10mm felt nails. Fold the front and back edges over and secure each edge with 3 x 10mm felt nails. Repeat for the other side panel.



15. Front and back roof panel roofing felt

Position a large Front/back roof panel felt centrally over the front roof panel. Fold the lower edge down to cover the felt batten. Secure the felt to the felt batten using 14 x 10mm felt nails evenly spaced. Tension the felt over the roof and secure along the upper edge using 5 x 10mm felt nail. Fold the ends of the felt over the side roof panels and secure using 4 x 10mm felt nails. Position a small Front/back felt piece at the top of the front roof panel. Ensure that the lower edge overlaps the large felt block. Once in position secure the Lower edge with 8 x 10mm felt nails, tension the felt and secure at the top edge with 4 x 10mm felt nails. Repeat for the back roof panel.



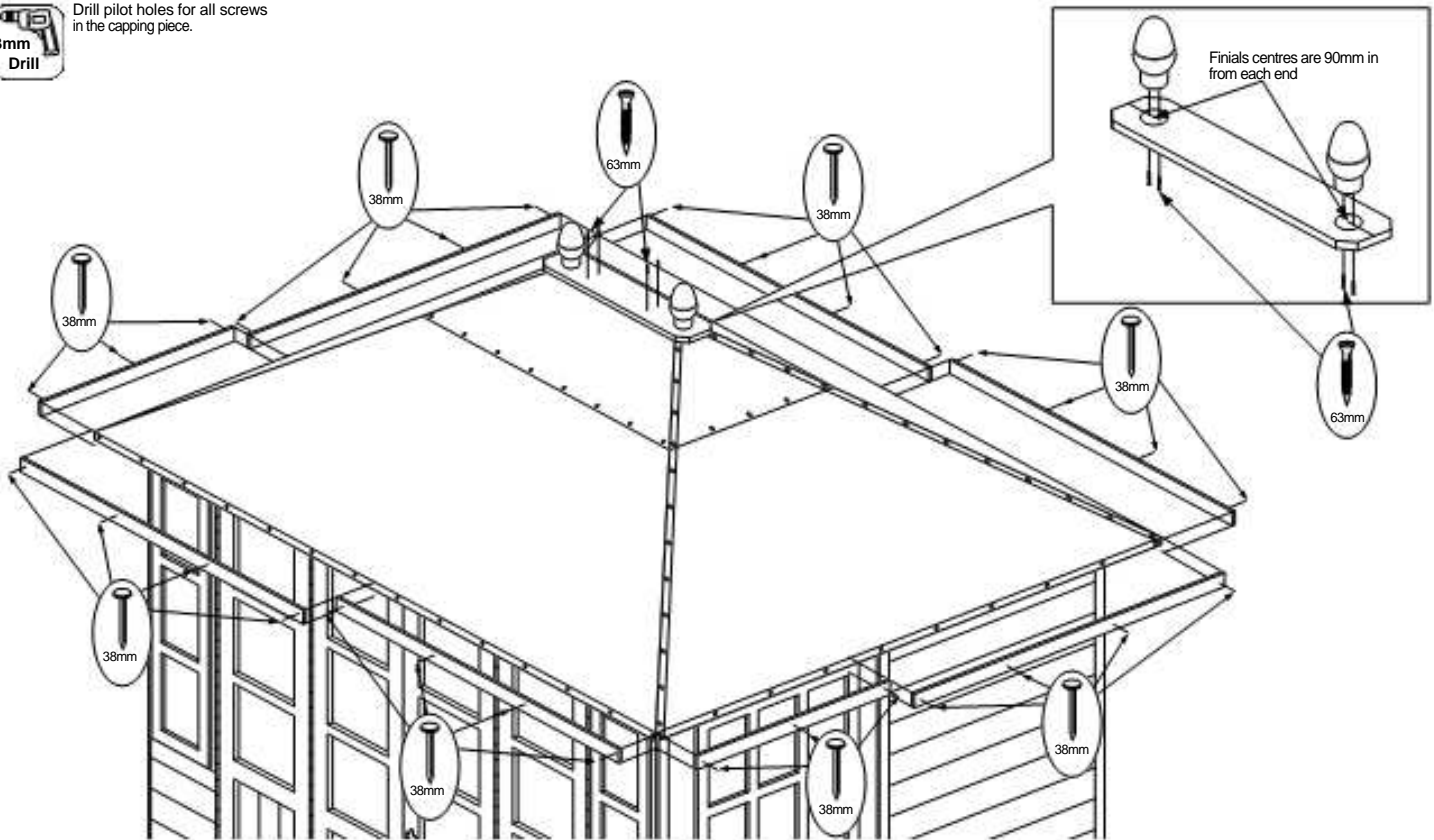
16. Bargeboards and finials

Summer Garden Buildings – Hipped Summerhouse 270

Attach the side bargeboards as shown using 4 x 38mm nails per board long board and 3 x 30mm nails per short board, ensure the top edges and the ends are flush with the roof line. With the sides in position secure the front and back barge boards using 4 x 38mm nails per board. Ensure their top edges are flush with the roof line and the ends level with the side bargeboards. The 2 finial centres are about 90mm from the ends of the capping piece. Drill 2 holes for each finial in the capping and secure the finials using 2 x 63mm screws per finial. Place the capping centrally over the centre of the roof and secure using 4 x 63mm screws. Screw through the capping into the centre roof block.

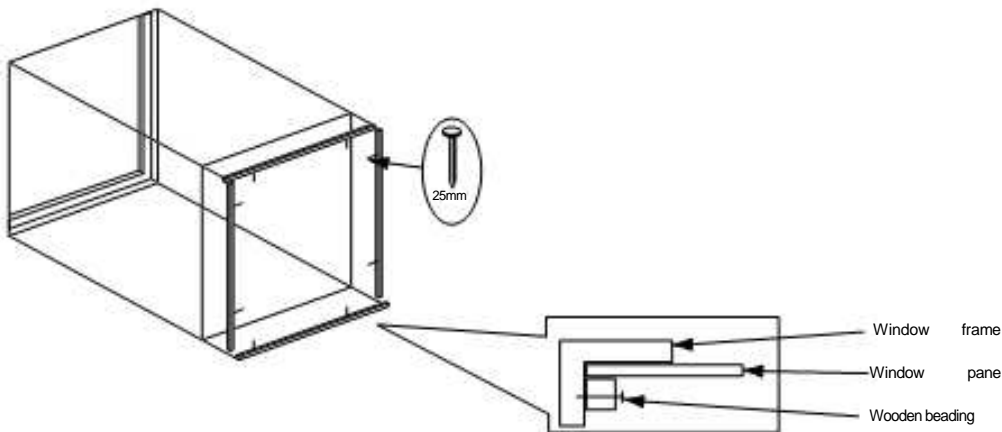


Drill pilot holes for all screws in the capping piece.



17. Glazing

It is recommended that a waterproof sealant is applied around the edge of the glazing before fitting. Place window panes on the inside of the window frames. Position the wooden beading around the edge and nail into position using 2 x 25mm nails per beading length.



Important information - retain for future reference

Shiplap buildings come ready stained but this is only a preparatory treatment. To **VALIDATE** the guarantee, the building must be properly treated with a recognized external wood preserver **WITHIN 3 MONTHS** of assembly and **RE-TREATED ANNUALLY** thereafter. Adequate provision must be made to ensure ground contact is avoided and air is able to circulate underneath the building.

Placing the building on a concrete pad or slab base is acceptable provided that the building is not allowed to sit in pooled water during wet conditions.

If the building is to sit on soil or grass it **MUST** be erected on pressure treated wooden 50mm x 50mm or similar bearers (**These are not supplied in the kit**). We recommend using pressure treated bearers with all buildings on any type of base.

Timber Information.

As timber is a natural material, there are certain weather conditions that may affect the materials properties. In times of excessive dry spells the material may lose some of its internal moisture causing a certain degree of shrinkage on a panel and in periods of excessive rain there will be a certain amount of swelling throughout the wooden panels. This process can not be avoided. If you have problems with certain boards shrinking in dry spells try to decrease the amount of direct sunlight on the building or the amount of air passing over the building. During hot spells spray water directly onto the panels a garden hose.

If in doubt of any aspect regarding the assembly, use or safety of your building please contact our Help Line

Summer Garden Buildings does not guarantee that this is the most recent version of these instructions or that all data has been accurately reproduced. You are advised to refer to the instructions supplied with the product before assembly. If for any reason the instructions are not delivered with the product you are advised to obtain the most recent version before assembly. No guarantee is given regarding the accuracy of these instructions and no liability will be accepted for any errors or inaccuracies.

We constantly improve the quality of our products, occasionally the components may differ from the components shown and are only correct at time of printing. We reserve the right to change the specification of our products without prior notice.